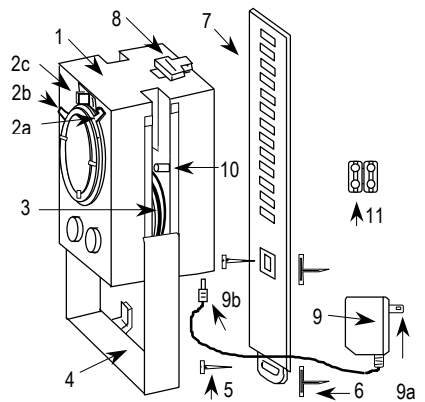


**ADD-A-MOTOR, INC**  
**Model 80 Owner's Manual**  
 Universal Window Covering Motor to  
 traverse Drapery, Sliding Panel  
 Curtains, Vertical Blinds or rotate  
 Vertical Blinds.  
 Timer and X-10 Compatible.  
 Read All Instructions Before Using.  
 Save For Future Reference.  
 US Patent 4958112  
 Manufactured by Add-a-Motor, Inc.  
 Proudly made in the USA from domestic  
 and imported materials.

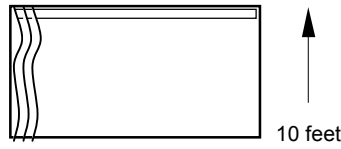
**INDEX**

|                              |       |
|------------------------------|-------|
| Product Uses                 | 1     |
| How Product Works            | 1     |
| General Tips and X-10 Safety | 1     |
| Installation Steps           | 2 & 3 |
| Important Tip                | 3     |
| When Adjustment is Needed    | 3     |
| Remote Control               | 3     |
| Timer Control                | 4     |
| Manual Control               | 4     |
| Trouble Shooting             | 4     |
| Vacation Checklist           | 4     |
| X-10 and Z-Wave              | 1 & 4 |
| Warranty Customer Service    | 4     |
| Repair                       | 4     |



- COMPONENTS**
1. Housing
  - 2a. Actuator (Tipped)
  - 2b. Actuator (Flat)
  - 2c. Stop Switch
  3. Drive Wheel & Groove
  4. Safety Guard
  5. Wall Screws (2)
  6. Wall Anchors (2)
  7. Wall Bracket
  8. Lock
  9. AC-DC Adapter
  - 9a. AC plug
  - 9b. DC plug
  10. Cord Tension Bar (2)
  11. Chain Connector

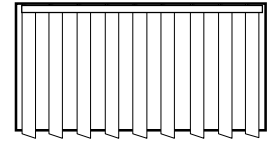
**PRODUCT USES: ADDS MOTORIZATION TO EXISTING DRAPERY AND VERTICAL BLINDS.**



← OR →  
 Traverse 1-way, either direction.  
 Max: 8-ft. sliding-carrier track.  
 Max: 10-ft. wheel-carrier track.  
 Max: 35 pounds fabric weight.

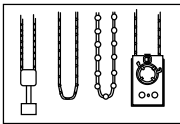


↔  
 Traverse center-open.  
 Max: 10-ft. sliding-carrier track.  
 Max: 12-ft. wheel-carrier track.  
 Max: 35 pounds fabric weight.

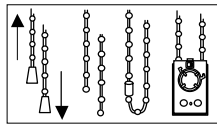


↻ ↔  
 Rotate **or** Traverse vertical blinds.  
 Rotate + Traverse requires 2 motors.

**HOW PRODUCT WORKS.**



Motor replaces tension device attached to cord loop.



Some 2-piece cords & chains are actually a cut continuous loop. To identify this type, pull DOWN on 1-side. If opposite side travels UP, it is a cut loop. This type can be rejoined and motorized.

**NOT APPROVED FOR THE FOLLOWING**  
**SHADES THAT TRAVEL UP AND DOWN.**  
**CURVED OR DECORATIVE TRACKS.**  
**CHICKEN COOP DOORS.**



**For over 20 years** the Model 80 has provided a daily convenience for thousands of customers. Please read and retain this booklet.

- Installer must set motor** to stop. If not set properly, **motor can force drapery against its track-ends but keep running.**
- Motor has a rubber wheel and a **safety-axle**. The **axle is very strong** and can last a lifetime.
- But axle can break** if motor keeps running and it keeps pushing drapery against its track-ends. If it breaks, **it is like a fuse**, but is not covered by warranty. A broken axle must be replaced. Order Drive Axle P/N 29008 at [www.repairmymotor.net](http://www.repairmymotor.net). See page 4.

**VIP:** Before installation, **open drapery half-way**. After installation, observe your drapery and maintain motor settings.

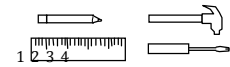
X-10 and Z-Wave users: **ONLY** use an Appliance Module to control this product. See page 4 for important information.

**GENERAL SAFETY: Symbols and notices are for your protection.**

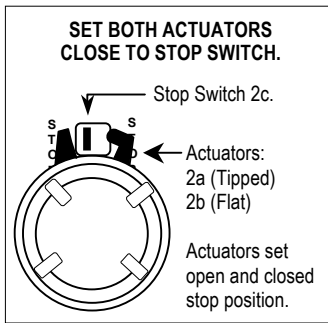
Indoor use only. Do not use in presence of medical oxygen, flammable-explosive liquids or gases. Small parts pose swallow-inhalation hazard. Keep children and pets away. If any part of body, hair and clothing becomes entangled while motor operates, immediately actuate Switch 2c and unplug Adapter. Do not oil, modify or disassemble. Product may operate unexpectedly if controlled by timer or remote control out of view. Motor has Safety Guard that must be installed before use.

# Add-a-Motor Installation

Tools needed:

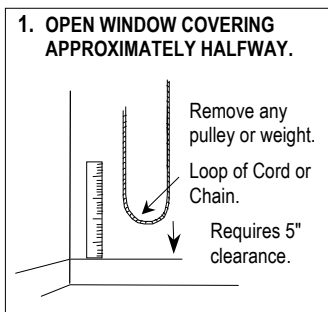


## INSTALLATION STEPS: START HERE



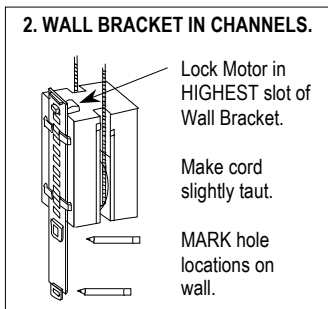
### HOW MOTOR OPERATES

- Stop Switch 2c is similar to a light switch. However, it only stops the motor. This Switch cannot start motor.
- The Stop Switch is operated automatically by Actuators 2a and 2b. Switch can also be operated manually by hand.
- When the motor runs, one Actuator moves toward the Stop Switch while the other moves away.
- When an Actuator pushes the Stop Switch from one-side to the other, the motor stops.
- After motor stops, motor will not run again until power is turned OFF for at least 2 seconds, and then back ON.
- When power is turned back ON, motor runs in opposite direction until the other Actuator moves the Stop Switch.
- Power is turned ON and OFF by remote control, timer or other available AC control switch.
- The user adjusts the Actuators closer to, or farther away from the Switch to set desired open and closed positions.
- START BY SETTING BOTH ACTUATORS** close to switch 2c. Actuators are tight - Rotate by hand.



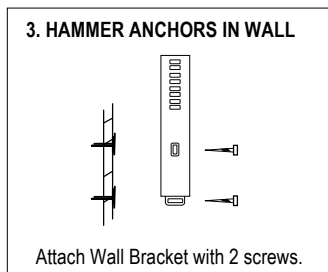
### 1. **IMPORTANT:** OPEN WINDOW COVERING APPROXIMATELY HALFWAY AND LEAVE IN THAT POSITION.

- VERIFY** that head rail is securely affixed to a strong structure.
  - REMOVE** pulley or weight attached to Cord or Chain loop.
- WARNING** Exposed cord & chain loops can be a hazard to children. Never leave unattended when children present.
- MEASURE** below loop. Required clearance is 5 inches or more. If needed, shorten cord inside track. **DO NOT** cut loop.



### 2. **SLIDE WALL BRACKET INTO CHANNELS ON THE REAR OF THE MOTOR.**

- LOCK** Motor in **highest** slot of Wall Bracket as shown.
- REMOVE** U-shape Safety Guard by sliding it off bottom of Motor.
- UNTWIST** window covering cord (chain) and open loop.
- PLACE** Drive Wheel Groove on loop.
- HOLD** against wall making cord (chain) **VERTICAL**, and **SLIGHTLY TAUT**.
- MARK** on wall the location of the 2 oval holes in Wall Bracket.
- REMOVE** Motor from cord (chain).
- SEPARATE** Wall Bracket from the Motor.



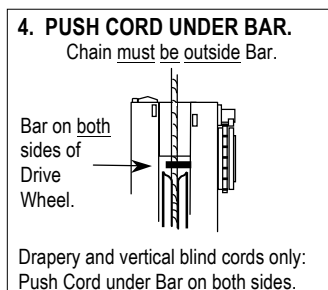
### 3. **HAMMER THE SUPPLIED ANCHORS INTO WALL AT MARKED LOCATIONS.**

(Use screws alone in wood wall. Use optional anchor for plaster wall.)

- ATTACH** Wall Bracket to Anchors with supplied screws.
- DRIVE** screws until tight. Do not over-tighten.

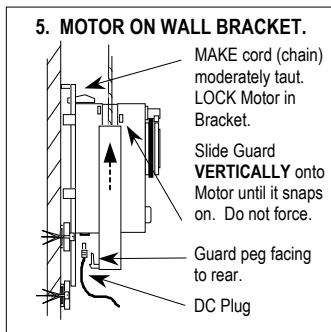
### FOLLOWING ONLY APPLIES TO CHAINS THAT ROTATE VERTICAL BLINDS.

Close blinds fully: pull cord first, then chain. Next, pull chain to rotate open to desired position. If pull length is more than 3-inches, proceed with installation. If pull is less than 3-inches, do the following. With blinds rotated to desired position, attach supplied Connector 11 (for plastic bead-chain) on chain side that traveled UP while opening. Connector **must** touch head rail. Pull chain to verify that open travel is restricted. Rotate blind closed about **halfway** and leave in this position. Set Actuators 2a and 2b **touching** Switch 2c. Proceed with installation. To avoid damage to vertical blinds: 1. When opening, ROTATE **first**. 2. When closing, ROTATE **last**.



### 4. **OPEN WINDOW COVERING HALFWAY. UNTWIST CORD AND OPEN LOOP.**

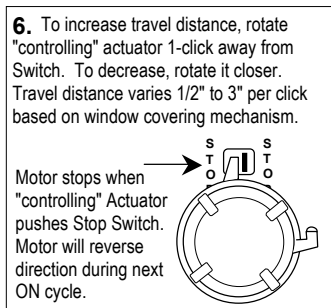
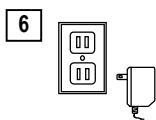
- PLACE** Drive Wheel Groove on loop.
- PUSH** Cord under Tension-Bars on both sides of Drive Wheel.
- DO NOT** place a Chain under these Bars




**5. SLIDE MOTOR ONTO WALL BRACKET.**

- LOWER Motor on Wall Bracket and remove any slack in cord (chain).
- MAKE cord (chain) moderately taut. LOCK Motor in nearest slot in Wall Bracket.
- SLIDE U-shape Safety Guard onto Motor VERTICALLY from underneath, Peg facing rear.
- INSERT Adapter DC output plug into receptacle at bottom of Motor.

**MOTOR WILL OPERATE IMMEDIATELY DURING NEXT STEP. FIRST READ ALL INSTRUCTIONS INSIDE FOLLOWING BOX.**



- WINDOW COVERING MUST BE APPROXIMATELY HALF OPEN.
- WINDOW COVERING CORD MODERATELY TAUT ( NOT EXCESSIVELY TAUT ).
- BOTH ACTUATORS MUST BE SET CLOSE TO THE STOP SWITCH AS SHOWN. → 

**IN THIS STEP, EITHER 6-A OR 6-B WILL HAPPEN FIRST.**

**6. PLUG ADAPTER INTO ELECTRIC WALL OUTLET. BE READY TO UNPLUG ADAPTER.**

**6-A. Motor stops before window covering reaches desired position. Do the following.**

- Measure remaining distance to desired position, divide by 3. Example: Distance = 24 inches. Divide by 3 = 8.
- Rotate "controlling" Actuator 8-clicks AWAY from the Switch. "Controlling" Actuator will be nearest the Switch.

**Unplug Adapter from wall outlet. Wait 2 seconds. Plug it in again. Motor will run in opposite direction.**

- Repeat above steps to make final adjustment to the closed position. Fully closed is normal.
- Set desired open position, but NEVER 100% open. Set to stop 4 inches or more before full open.

**6-B. Window covering reaches desired position, IMMEDIATELY UNPLUG Adapter, then do the following.**

- Manually move Stop Switch 2c from its present position to the opposite side. DO NOT MOVE IT BACK.
- If you move the Switch left, ← then rotate TIPPED-Actuator 2a until it touches the Switch.
- If you move the Switch right, → then rotate FLAT-Actuator 2b until it touches the Switch.

**⚠ WARNING** Never allow motor to run after window covering is full open or closed. If motor labors, travel limit is reached, or cord is too taut. Set both Actuators to prevent overrun. Monitor/adjust periodically.

**IMPORTANT TIP**



**LISTEN . . . If you hear a change in the motor sound, there might be a problem.** If you hear the motor make a straining sound, window covering has reached its travel limit. Immediately unplug motor. If motor is allowed to keep running, damage to gears, drive axle, Adapter, or window covering might occur. **Repeat Step 6. Motor must be set to stop 4 inches or more before full open.**

**REQUIRED ADJUSTMENT IF CLOSED POSITION EVER CHANGES**

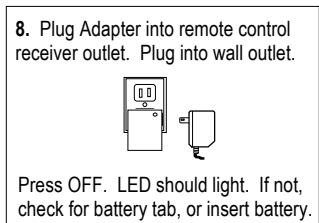


**7. IF CLOSED STOP POSITION CHANGES, PROMPT ADJUSTMENT IS NEEDED TO AVOID DAMAGE.**

- If window covering fails to close fully: Move Closed Position Actuator one or more clicks away from the Stop Switch. **VIP** You must also move the opposite Actuator the same number of clicks but closer to the Stop Switch to prevent over-travel in Open Position.
- Always set motor to stop 4 inches or more before full open.
- Check for cord slack. Lower motor one notch on wall bracket if needed. Do not force.

**It is normal for window cord to stretch after motor installation. This can cause stop positions to change. Observe window covering stops. Promptly make required adjustment.**

**REMOTE CONTROL**



**8. PLUG ADAPTER INTO REMOTE CONTROL RECEIVER OUTLET. PLUG RECEIVER INTO WALL OUTLET.**

- Receiver MUST have label approved for appliance use, motor, or marked HP. NEVER use Lamp Module.**
- Press OFF button. LED should light. If not, check battery compartment for paper tab on terminals, or insert battery.
  - Press and hold ON button until motor starts, then release button. Window covering will move to set position then stop.
  - Press and hold OFF button until Motor stops. Motor will not run again unless Receiver switches OFF. Wait 2 seconds after Receiver switches OFF to allow Motor electronics to reset.
  - To move window covering to opposite position, press and hold ON button until motor starts, then release.
  - If OFF button is pressed while Motor is running, Motor will stop. When ON button is pressed again, Motor will run in the original direction until set position is reached.

**TIMER CONTROL:** Home security. Energy savings. Convenience.

**WE RECOMMEND** lamp timer switches. **Digital timers with battery backup** are preferred because during a power outage the battery saves your settings and the correct time-of-day. Some are "astronomic" and automatically adjust to daylight savings time changes. We also like rotary dial timers which are inexpensive and reliable. **Timer label must state that it is approved for appliance use, motor load, or say HP, 1/4 or 1/3. Never use timer with dimming capability (AC-DC Adapter will be damaged).**

Timer ON setting controls WHEN window covering is repositioned. **The timer must be set to switch OFF after every ON.**

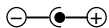
- Example:** Open window covering at 8:30 AM, and close it at 7:00 PM.
1. Set Timer for current time of day (AM-PM).
  2. Set Timer to switch ON at 8:30 AM. **IMPORTANT:** Set Timer to switch OFF as soon as possible thereafter. For example, OFF at 9:00 AM.
  3. Set Timer to switch ON at 7:00 PM. **IMPORTANT:** Set Timer to switch OFF as soon as possible thereafter. For example, OFF at 7:30 PM.

**Note:** To open or close sooner than a preset time, turn Timer manual switch to ON. Motor will operate and stop at set position. To return to original open/closed schedule, manually switch timer OFF.

**MANUAL CONTROL:** Example: During electrical power outage ... unplug motor, unlock motor and raise up on wall bracket. Pull window covering cord or chain by hand. When power is restored, repeat Step 6. **ALWAYS** open window covering half-way before connecting power to motor. Set motor to stop 4 inches before full open.

**TROUBLE SHOOTING** First, check remote control battery. Press OFF button. LED should light. If not, replace battery.

**Motor does not operate. Push Switch 2c to opposite side then back. Retry.**

- ◆ Plug Adapter directly into wall outlet. Motor should operate immediately; otherwise outlet is controlled by switch that is Off, or Adapter is damaged.
- ◆ Loose plug in motor jack. Tie tape around plug, but leave 4" free end. Pull free end of tape to side, make it slightly taut and attach to motor housing.
- ◆ UL fuse in AC-DC Adapter opened. Try other Adapter with 12-volt DC output, 1 amp max. **Output plug must be center positive.** 

**Open – closed sequence has reversed.**

- ◆ An electric power failure can change Timer settings. Verify AM-PM, and time of day settings. Also, verify that an OFF setting follows every ON.
- ◆ Timed event preempted. Refer to TIMER CONTROL section.

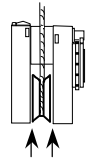
**Closed Stop Position changed.**

- a. Check for an obstructed or crimped head rail. Repair, or replace.
- b. Follow Step 7.
- c. **Never set 100% open as a stop position.** Adjust motor to stop 4 inches or more before full-open to avoid overtravel. OK to set closed as stop position.

**Head rail squeaks: Apply dry wax to channel rails. DO NOT APPLY TO CORD.**

**Motor squeaks: Apply liquid hand soap to sides of drive wheel (do not oil).**

Apply 1-drop hand soap to 3x5 card.  
Slide between housing and sides of drive wheel, wipe back and forth.  
**Never apply in drive wheel groove.**



## VACATION CHECKLIST

1. If remote control is used, unplug motor to prevent a spurious signal from operating.
2. If timer is used, verify that it is set to switch itself OFF after every ON.
3. Adjust Actuator to stop motor 10 inches or more before full open.
4. Inspect and eliminate any Cord/Chain slack. Lock in Wall Bracket.

## X-10 and Z-WAVE

**X-10:** Model 80 motor is compatible with any X-10 control and Appliance Module.

**Z-Wave:** Model 80 motor is compatible with any Z-Wave and Appliance Module.

**NEVER** use a dimming switch. It will damage AC-DC Adapter and void its warranty. Use only an Appliance Module.

## WARRANTY

Motor warranted against defective materials for one year from date of purchase. To request a Warranty Return Authorization please follow procedure below.

- **Go to [www.repairmymotor.net](http://www.repairmymotor.net)** Select "Warranty" button and then follow steps to request a Warranty Return Authorization.
- You will receive an email confirmation of your request and shipping information.
- Carefully pack and seal defective item and return as indicated.
- Write your address and Return Identification Number on outside of package. Inside package include the following:
  1. Copy of dated proof of purchase (keep the original).
  2. Your name, address, plus telephone number (**very important**).

Motor is warranted against defective materials. AC-DC Adapter warranty 90 days. Customer furnished motor control switch such as wireless remote control or timer switch must be labeled for use with appliances, motor load, or have the approval designation HP or comparable. Warranty applies to original purchaser. Product failure caused by any reason not related to product materials is not covered. Commercial use of product is excluded. Warranty excludes damage caused by use, misuse, abuse, neglect, and acts of God. Warranty excludes battery if supplied. No employee, agent, dealer or other person is authorized to give any warranty on behalf of Add-a-Motor, Inc. If our inspection reveals that problem was caused due to materials within the limits of this warranty, Add-a-Motor will repair or replace product free of charge. Replacement unit is under warranty for the remainder of the original warranty period. **ADD-A-MOTOR MAKES NO OTHER WARRANTY OF ANY KIND. ANY EXPRESSED OR IMPLIED WARRANTY INCLUDING MERCHANTABILITY AND FITNESS FOR A PURPOSE WHICH EXCEEDS THE OBLIGATION MENTIONED IN THIS WARRANTY ARE DISCLAIMED AND EXCLUDED IN ALL RESPECTS.** The sole obligation of Add-a-Motor is to repair or replace the product at our discretion. Add-a-Motor is not liable for incidental, consequential, or any damage or injury due to use or misuse of product whether or not product is found defective for any reason.

**"OUR COMMITMENT IS TO KEEP YOUR MOTOR RUNNING LONG AFTER THE WARRANTY"**

## REPAIR-IT-YOURSELF

If your motor is damaged or simply worn-out, you can inexpensively repair and recondition it yourself. Visit **[www.repairmymotor.net](http://www.repairmymotor.net)** This site has many photographs and information about identifying any problem and the part you can order to repair it yourself.

**If you choose to return motor for inspection, please go to [www.repairmymotor.net](http://www.repairmymotor.net) and select the button marked "Guarantee ... Warranty" and follow steps to request a Return Authorization Number. If motor is defective, it will be repaired or replaced no-charge as stated in our warranty. If non-warranty repair is requested, typical cost is \$19.95 to \$39.95; possibly more if extensive repair is needed.**